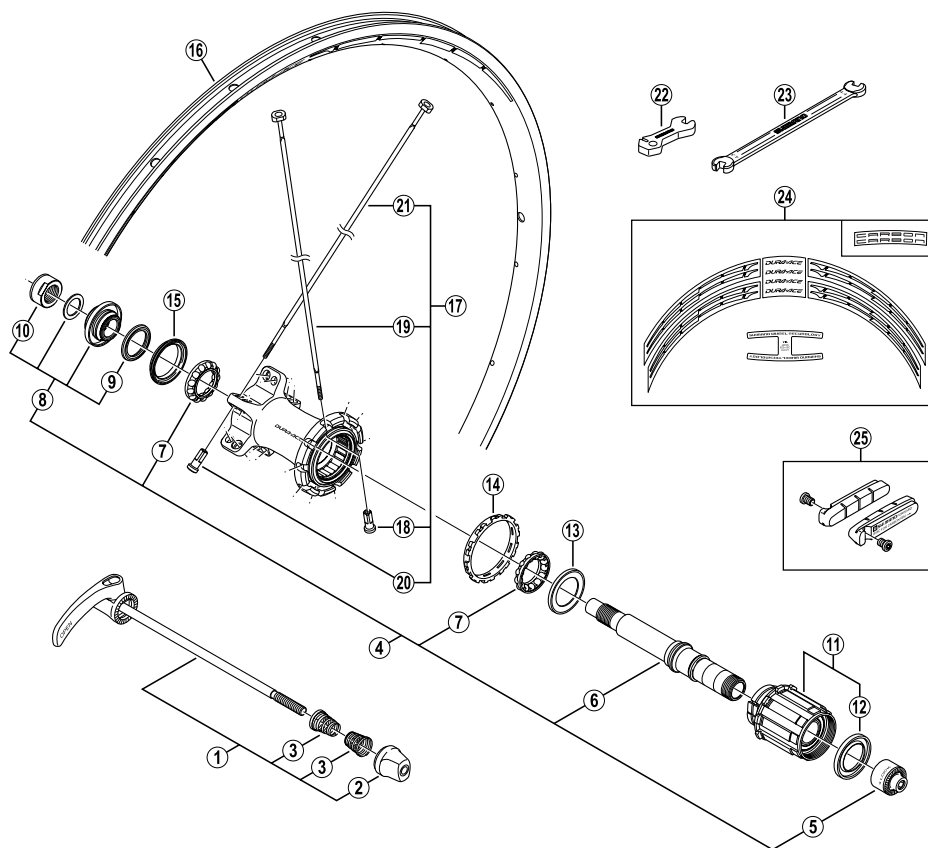


DURA-ACE Rear Wheel (10-Speed)

WH-7801-R Clincher / Tubular

WH-7801-Carbon-R



ITEM NO.	SHIMANO CODE NO.	DESCRIPTION
1	Y-3B9 90100	Complete Quick Release 163 mm (6-13/32")
2	Y-25R 98020	Quick Release Nut
3	Y-233 21000	Volute Spring
4	Y-4BN98110	Complete Hub Axle 130.3 mm (5-1/8")
5	Y-3CM98020	Right Hand Lock Nut (M15)
6	Y-3CM98030	Hub Axle 130.3 mm (5-1/8")
7	Y-25R 98080	Ball Retainer (3/16")
8	Y-4BN98120	Left Hand Lock Nut Unit
9	Y-25R 04000	Left Hand Seal Ring
10	Y-3B9 98050	Left Hand Lock Nut (M12)
11	Y-3CM98060	Complete Freewheel Body
12	Y-3CM11000	Sub Unit Rubber Seal
13	Y-3B9 18000	Inner Seal Ring
14	Y-4B9 11000	Hub Body Cap
15	Y-25R 06000	Inner Dust Cap
16	I-WHRIMTREFC	Rim for Clincher {20H / Anodized (78' Color) / Clincher}
	I-WHRIMTREFT	Rim for Tubular {20H / Anodized (78' Color) / Tubular}
	I-WHRIMVRECT	Rim for Carbon {20H / Tubular}
17	I-WHSPOKEUB1	Spoke Unit {Spoke (274 mm x 10 pcs. & 300 mm x 10 pcs.) / Spoke Washer (20 pcs.) / Right Hand Nipple (10 pcs.) / Left Hand Nipple (10 pcs.)}
	I-WHSPOKEWB1	Spoke Unit for Carbon {Spoke (274 mm x 10 pcs. & 300 mm x 10 pcs.) / Spoke Washer (20 pcs.) / Right Hand Nipple (10 pcs.) / Left Hand Nipple (10 pcs.)}
18	Y-012 Z4200	Right Hand Nipple
19	Y-4C0 98050	Right Hand Spoke (274 mm) w/Washer
	Y-4C0 98060	Right Hand Spoke (274 mm) w/Washer for Carbon
20	Y-4A0 03000	Left Hand Nipple
21	Y-4C0 98070	Left Hand Spoke (300 mm) w/Washer
	Y-4C0 98080	Left Hand Spoke (300 mm) w/Washer for Carbon
22	Y-4A0 08000	Nipple Wrench
23	Y-4A0 14000	TL-WH77 Nipple Wrench
24	Y-4BN98170	Rim Sticker Unit for Clincher
	Y-4C0 98090	Rim Sticker Unit for Tubular
	Y-4C0 98100	Rim Sticker Unit for Carbon
25	Y-8FA 98140	R55C Brake Shoes & Fixing Bolts (Pair) for Carbon Rim

Over Lock Nut Dimension: 130 mm (5-1/8")

0507-2516

Specifications are subject to change without notice.

SHIMANO